

REMOVABLE SOCKET

Luxury · Custom · Life



EIH[®] IGER
ELECTRIC

YUEQING IGER ELECTRIC CO.,LTD.

Add: Room 303,building No.1,Unit 2,shanglaiqiao
material decoration Area,ilushi, Yueqing,Zhejiang,China 325604.

Factory: ShangmiAo,Industrial zone,Yueqing
Zhejiang,China 325604

Tel: +86-577-62731309

MB/Wechat: 13988771068

E-mail:sales@igercn.com

www.igercn.com

First-generation track



Surface mounted



Concealed

Second-generation track



Surface mounted



Concealed



Show results

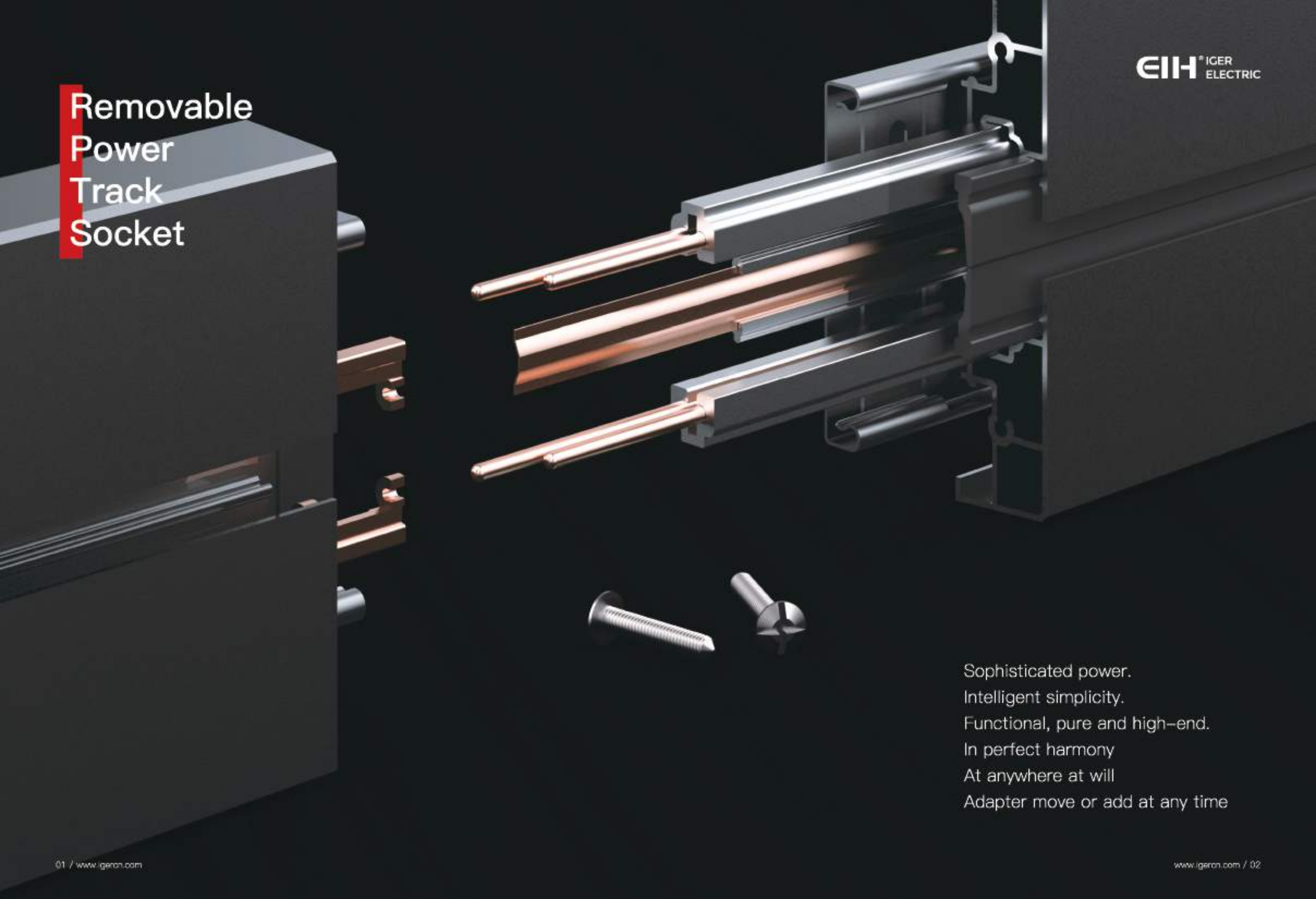


Wechat

EIH[®] IGER
ELECTRIC



Removable
Power
Track
Socket



Sophisticated power.
Intelligent simplicity.
Functional, pure and high-end.
In perfect harmony
At anywhere at will
Adapter move or add at any time



The second
Generation track socket
(Left and right wiring)





Let beauty be Your daily life

Modules have any choice and combination of national standard, American standard, European standard More practical and aesthetic rail socket

Track name	The second generation surface mounted rail (left and right wiring)
Track color	Meteorite black, deep space gray, matte white
Installation mode	Surface mounted
Process materia	Sandblasting aluminum alloy + small anodizing
Rated power	8000W
Rated current	32A
Rated voltage	110-250V~
Dimensions	Width 86mm, thickness 18mm, length 0.3/0.4/0.6/0.8/1.1/1.2/1.5/3m can be customized



**Minimalism is an attitude
Beauty is the improvement of details**

When artistic inspiration and technology are naturally intertwined,
the home becomes unique





The second
Generation track socket
(Left and right wiring)





**Minimalism is an attitude
Beauty is the improvement of details**

When artistic inspiration and technology are naturally intertwined,
the home becomes unique

Track name	The second generation surface mounted rail (left and right wiring)
Track color	Meteorite black, deep space gray, matte white
Installation mode	Concealed
Process materia	Sandblasting aluminum alloy + small anodizing
Rated power	8000W
Rated current	32A
Rated voltage	110-250V~
Dimensions	Width 80mm, thickness 18mm, length 0.3/0.4/0.6/0.8/1.1/1.2/1.5/3m can be customized



**Minimalism is an attitude
Beauty is the improvement of details**

When artistic inspiration and technology are naturally intertwined,
the home becomes unique

Move freely
Unlimited electricity



All-round wiring

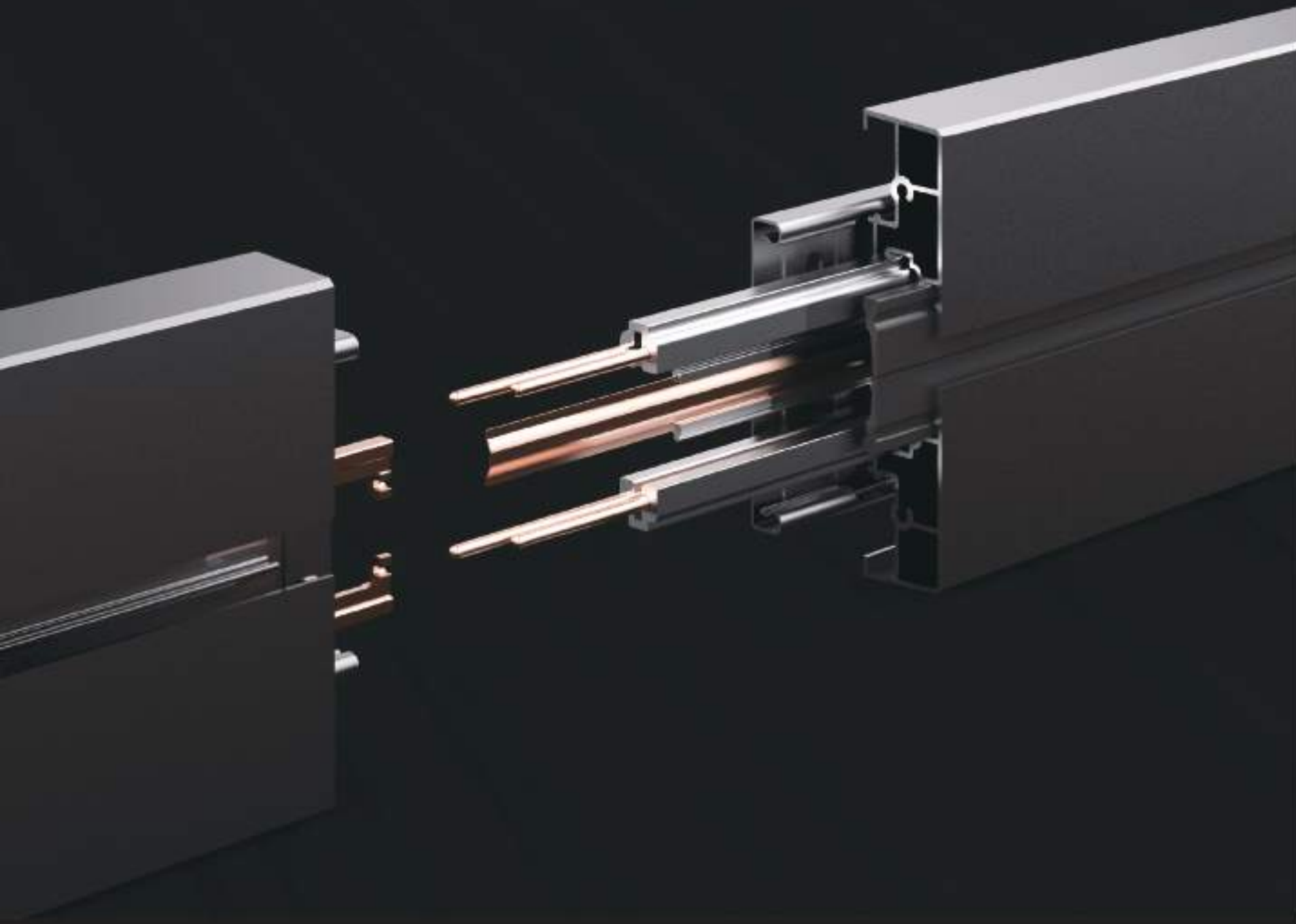
The track unilateral terminal can realize 360° all-round coverage wiring. You can choose the corresponding location according to the specific situation of your home.



Waterproof, dustproof and electric

All conductors are wrapped with flame-retardant insulators, and the zero fire line is concealed at the upper end of the track. High resilience airtight rubber strip prevents fingers and dust from penetrating in. It won't be deformed after long time use, preventing the possibility of electric shock.





**Copper purchase thick
Core Buy Strong**

Five 3.5 mm copper rods are equivalent to 8 square power cords
Can withstand up to 8000W power

**The track is made of aluminum alloy
Small anodizing process**

Aluminum alloy material is sturdy and durable
the surface is easy to clean
Take care of oily stains

Three colors available



Meteorite black



Matte white



Deep space gray



EIH IGER
ELECTRIC

Old to new
Replace the old socket directly

Easily modified to cover the original 86 and 118 bottom boxes
The existing switch position can also be directly modified
Connect to the existing circuit of the cassette to install





The first
Generationw surface
mounted track
(left and right wiring)



Let beauty be Your daily life

Modules have any choice and combination of national standard, American standard, European standard. More practical and aesthetic rail socket.

Track name	The first generation of surface mounted track (left and right wiring)
Track color	Meteorite black, deep space gray, champagne gold, space silver
Installation mode	Surface mounted
Process materia	Sandblasting aluminum alloy + small anodizing
Rated power	6250W
Rated current	25A
Rated voltage	110-250V~
Dimensions	Width 82mm, thickness 22mm, length 0.3/0.4/0.6/0.8/1.1/1.2/1.5/3m can be customized



Leisure living room

Simultaneously on different devices
Multiple visual and auditory enjoyment.



The first
Generationw surface
mounted track
(left and right wiring)



**Minimalism is an attitude
Beauty is the improvement of details**

When artistic inspiration and technology are naturally intertwined,
the home becomes unique

Track name	The first generation of concealed track (left and right wiring)
Track color	Meteorite black, deep space gray, champagne gold, space silver
Installation mode	
Process materia	
Rated power	6250W
Rated current	25A
Rated voltage	110-250V~
Dimensions	Width 82mm, thickness 22mm, length 0.3/0.4/0.6/0.8/1.1/1.2/1.5/3m can be customized



Leisure living room

Simultaneously on different devices
Multiple visual and auditory enjoyment



The first
Generation surface mounted track
(left and right wiring)





The first
Generation of track socket
(With switch)





Interpreting spatial aesthetics Create a quality life

Break the traditional wall socket layout
Both modern beauty and practicality
Compatible with different home decoration styles

The second Generation track socket (left and right wiring)



Concealed



Specifications	Width x Thickness x Length	Slot size
	8x1.9x60cm	7.1x1.8x59.5cm
	8x1.9x80cm	7.1x1.8x79.5cm
	8x1.9x100cm	7.1x1.8x99.5cm
	8x1.9x120cm	7.1x1.8x119.5cm
	8x1.9x150cm	7.1x1.8x149.5cm

Surface-mounted



Specifications	Width x Thickness x Length
	8x1.9x60cm
	8x1.9x80cm
	8x1.9x100cm
	8x1.9x120cm
	8x1.9x150cm

Can customized

First Generation Track socket (left and right wiring)



Concealed



Specifications	Width x Thickness x Length	Slot size
	8x2x60cm	7.1x2.1x59cm
	8x2x80cm	7.1x2.1x79cm
	8x2x100cm	7.1x2.1x99cm
	8x2x120cm	7.1x2.1x119cm
	8x2x150cm	7.1x2.1x149cm

Surface-mounted



Specifications	Width x Thickness x Length
	8x1.9x60cm
	8x1.9x80cm
	8x1.9x100cm
	8x1.9x120cm
	8x1.9x150cm

Can customized

The first
Generation track socket (with switch)



Concealed



Specifications	Width x Thickness x Length	Slot size
	8x2.2x60cm	7.1x2.1x59cm
	8x2.2x80cm	7.1x2.1x79cm
	8x2.2x100cm	7.1x2.1x99cm
	8x2.2x120cm	7.1x2.1x119cm
	8x2.2x150cm	7.1x2.1x149cm

Surface-mounted



Specifications	Width x Thickness x Length
	8.2x2.2x60cm
	8.2x2.2x80cm
	8.2x2.2x100cm
	8.2x2.2x120cm
	8.2x2.2x150cm

Can customized

Adapter series



GD1 All aluminum + acrylic indicator light



16A AC socket
Grey



Two/Three pole socket
Black



Two/Three pole socket
Gold



Double USB socket
Blue



Multi-socket
Red



13A square socket
Grey



American three pole
multi-socket



American three pole
socket



Germany socket



French socket



GD2 All aluminum LED lights



Two/Three pole socket
Grey

Double USB socket
Grey

Multi-socket
Gold



13A square socket
Red

American three pole
multi-socket
Blue

American three pole
socket
Black

GD3 All aluminum LED lights



Two/Three pole socket
Grey

Double USB socket
Grey

Multi-socket
Black



Multi-socket
Blue

13A square socket
Red

13A square socket
Gold



GD4 All aluminum double-sided LED lights



Two/Three pole socket
Grey

Double USB socket
Grey



Double USB socket
Blue

Multi-socket
Black



Two/Three pole socket
Gold

Two/Three pole socket
Red



GD5 Frosted LED Light



Two/Three pole socket
Grey



Double USB socket
Grey



Two/Three pole socket
Red



Double USB socket
Red



Two/Three pole socket
Black



Double USB socket
Black



Multi-socket
Grey



13A square socket
Grey



Multi-socket
Red



13A square socket
Red



Multi-socket
Black



13A square socket
Black



GD6 Semi-aluminum LE light



16A AC socket



Two/Three pole socket



Two/Three pole socket



Double USB socket



Multi-socket



13A square socket



American three pole
multi-socket



American three pole
socket



Germany socket



French socket

Adapter series



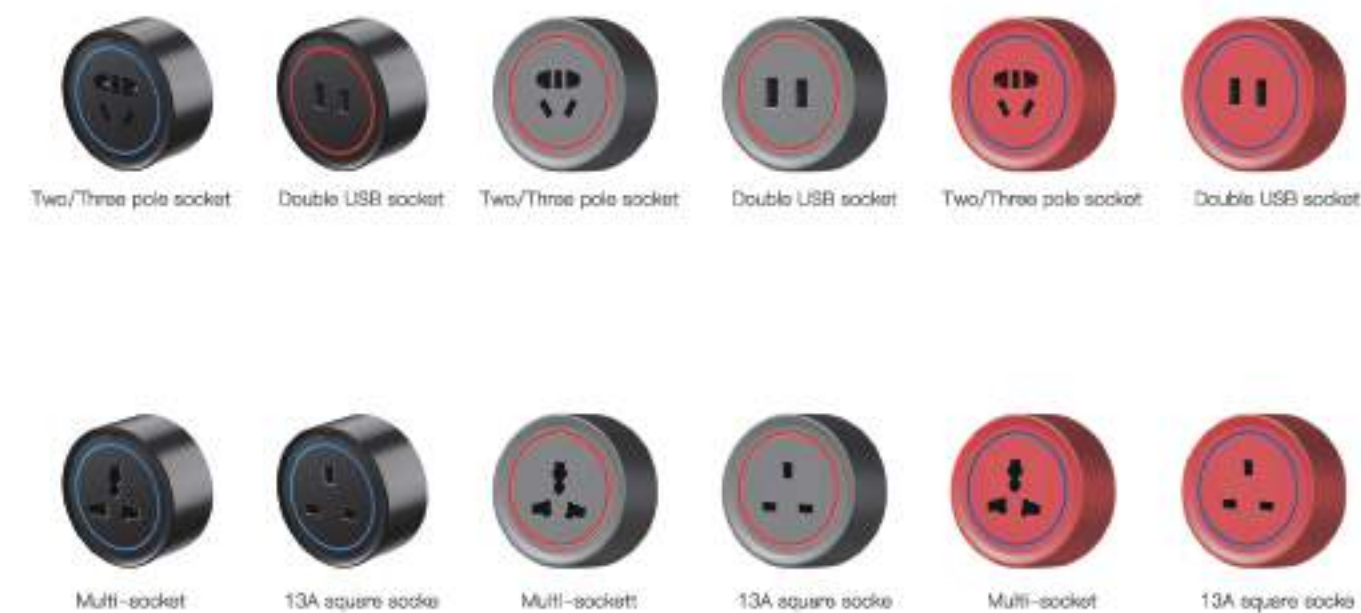
GD7 Frosted LED Light



Adapter series



GD8 Frosted LED Light





GD9 All aluminum smiley LED light



GD10 Frosted LED Light





GD11 Arc frosted LED light



GD12 Beveled Frosted LED Light





GD13 Beveled Frosted LED Light



Two/Three pole socket
Black

Double USB socket
Grey



Two/Three pole socket
Red

Double USB socket
Red

GD14 Beveled Frosted LED Light



Two/Three pole socket
Red

Double USB socket
Grey

Double USB socket
Black



Double USB socket
Grey

Double USB socket
Blue

Double USB socket
Gold



GD15 Frosted single point light



Two/Three pole socket
White

Double USB socket

Two/Three pole socket
Grey

Double USB socket

Two/Three pole socket
Black

Double USB socket



Multi-socket

13A square socket

Multi-socket

13A square socket

Multi-socket

13A square socket



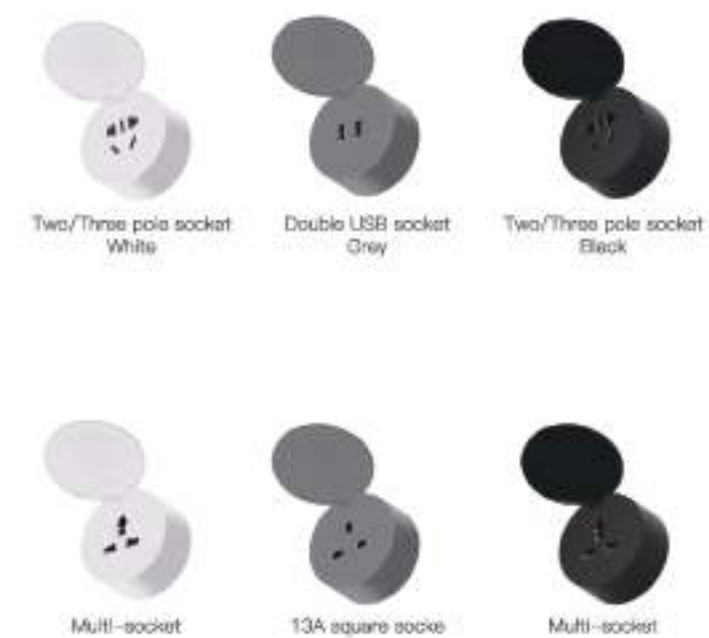
GD16 Bevel frosted double-sided LED light



GD17 Frosted 2.5D Glass LED Light



GD18 Frosted 2.5D glass flip LED light





GD19 All aluminum 1.8 glass LED light



Two/Three pole socket
Black



Double USB socket
Black



Two/Three pole socket
Grey



Two/Three pole socket
Gold



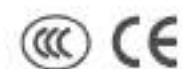
Two/Three pole socket
Grey



Two/Three pole socket
Blue



Two/Three pole socket
Red



GD20 Bevel frosted double-sided LED light



Two/Three pole socket
Black



Double USB socket
Grey



Two/Three pole socket
Grey



Two/Three pole socket
Red



Double USB socket
Black



Two/Three pole socket
Grey



13A square socket
Gold



Multi-socket
Red



13A square socket
Blue



13A square socket
Grey



Multi-socket
Gold



13A square socket
Blue



GD21 Square Acrylic Surface Indicator



16A AC socket Two/Three pole socket Two/Three pole socket Double USB socket



Multi-socket 13A square socket American three pole multi-socket American three pole socket Germany socket French socket



GD23 Square and round frosted LED lights



Two/Three pole socket (PC) Two/Three pole socket (PC) Two/Three pole socket (PC)



Double USB socket (PC) Multi-socket 13A square socket American three pole multi-socket American three pole socket



GD24 Square Acrylic Surface Indicator



Two/Three pole socket (aluminum surface)



Two/Three pole socket (aluminum surface)



Two/Three pole socket (aluminum surface)



Two/Three pole socket (aluminum surface)



Double USB socket (aluminum surface)



Multi-socket



13A square socket



American three pole multi-socket



American three pole socket



GD25 Square Acrylic Surface Indicator



Two/Three pole socket (aluminum surface)



Two/Three pole socket (aluminum surface)



Two/Three pole socket (aluminum surface)



Two/Three pole socket (aluminum surface)



Double USB socket (aluminum surface)



Multi-socket



13A square socket








American three pole multi-socket



American three pole socket

Open installation

				
1 Identify the installation position, draw parallel according to the position line (the track is not divided into left, right, up and down)	2 According to the drawn line, press the upper edge to align, and make the fixing screw mark	3 Punch out the separation screw holes according to the mark	4 Tighten the screws	5 There is a screwdriver symbol at the power terminal, lift the cover according to the prompt position

Three kinds Connection method

Method one

		
1 Connect to the corresponding terminal	2 Wire lead out of the cover plate outlet, cover the cover plate	3 Connect the track and the reserved wire, align it with the buckle card, and the installation is complete

Way two

		
1 Connect to the corresponding terminal, wire along the track, wire plugged	2 Attach the terminal cover	3 Connect the track and the reserved wire, align it with the buckle card, and the installation is complete

Way three

			
1 Tap the round hole on the side cover gently to introduce the wire, connect to the corresponding terminal	2 Attach the terminal cover	3 Align the buckle card, the installation is complete	4 Directly plug the lead out of the open wire into the socket to get electricity

Concealed installation

			
1 Determine the installation location, make the appropriate groove according to the size of the track, and smooth the surface of the groove with cement	2 After smooth the groove, mark the hole	3 Punch holes in each of the two marked positions, insert the expansion screw protective sleeve into the hole of the wall	4 Remove the track terminal box lid
			
5 Follow the wiring diagram for wiring	6 Put back the terminal box lid (note: remove the knock hole), arrange the wire into the groove of the track for mounting and securing	7 Place the track against the wall and screw the track to the wall at the hole position	8 Install the module to finish the installation. (Here corresponds to the slot)

Open installation

			
1 Determine the installation location, mark the hole	2 Punch holes in each of the two marked positions, insert the expansion screw protective sleeve into the hole of the wall	3 Remove the track terminal box lid	4 Follow the wiring diagram for wiring
			
5 Put back the terminal box lid (note: remove the knock hole), arrange the wire into the groove of the track for mounting and securing	6 Place the track against the wall and screw the track to the wall at the hole position	7 Install the module to finish the installation. (Here corresponds to the slot)	