

iGERCN®

CREDIT CARD



About the technologies and problems of products,
please login our company website or Send E-mail to us!



iGERCN®

iGERCN®

YUEQING IGER ELECTRIC CO.,LTD.

Add: Room 402,#100,West HuiFeng Rd,Xiang

JinYang Village,LiuShi,YueQing,ZheJiang,China.

Factory: ShangmiAo,zndustrial zone,Yueqing

Zhejiang,China 325604

Tel: +86-577-62731309

Fax: +86-577-27875953

MT: 13968771068

E-mail:sales@igercn.com

Skype:juanlia.iger

www.igercn.com



DESK SOCKET

Product Selection Manual



iGERCN®

iGERCN®

iGERCN®

*Gold brick quality,
professional service, choice iger!*

金砖品质，专业服务，选伊格电器！



RCN®

Juan

86-577-62731309
www.igercn.com

Desk Socket
Product Selection Manual

COMPANY PROFILE



YUEQING IGER ELECTRIC CO.,LTD is founded in 2010 which is Modern factory of professional do OEM and ODM Service for floor socket, intelligent socket, Weatherproof products and timer and photo electric cell and cable lug with spare parts of airplane. Our products Have been get approval of ISO9001,CCC,CE,ROHS,SAA,SASO ,LVD,EMC,ECT. And 80% products have been exported to USA,European and Australia and Asia markets.

After more than 9 years developing, Our company have staff about 100 people with 10 professional technicians And 2 D&R software engineer with 6 senior electrical engineers. There are more than 20 patent of invention and china exclusive patent for intelligent socket and Weatherproof socket have been get.

The quality is our culture, with us, your business is more safe and successful.

You are welcome to cooperate with us!



WORKSHOP



EXHIBITION



Guangzhou Electrical Building Technology
And The Hannover Messer Exhibition And
USA Smart Home Exhibition

MANUAL WIRELESS CHARGING SOCKET



Manual Wireless Charging Socket



Read the instructions carefully and keep it properly before using the product.

Product Introduction

- The main body of the product is made of high strength engineering plastics and aviation aluminum materials.
- IP44 Protection Level: IP44 protection level in the closed state improves the security performance.
- The product can be equipped with various sockets, wireless charging, USB charging and other functions.

Specifications

- Product Name: HGZ-601 Manual Pulling Up Outlets
- Outline Size: 245xØ120mm (2 gangs), 297xØ120mm (3 gangs)
- Electrical Parameters: See product
- Using Environment: 0°C ~+40°C
- USB Input: 10V-250V~, 50/60Hz
- USB Output: 5V/2.1A
- Wireless Charger Output: 5V/1A Operational

Operational Method

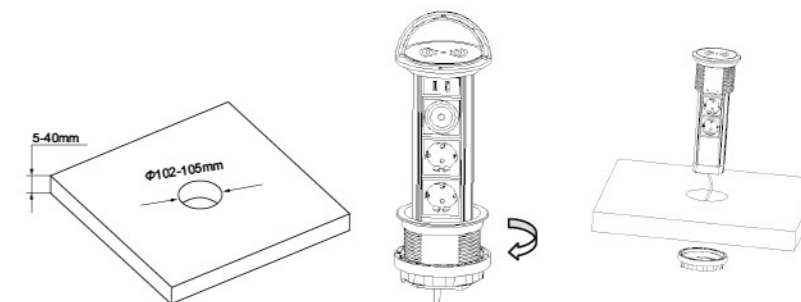
1. **Lifting of Product:** When use, turn up the handle to 90 degrees and then pull it up fully; When not use, put your palm on the top of the product and press it down to drop it into the countertop.
2. **Bluetooth Audio:** The first time you pair with a Bluetooth device, you need to press the circular button in the middle of the speaker for 5 seconds and release till you hear the "Hello Grace is pairing", then open the Bluetooth settings on your cell phone, tablet, computer or other device and connect to the "Grace". If you need to enter a pairing code, please type "0000". When the device is no longer in use, press the circular button in the middle of the speaker for 5 seconds and hear "Goodbye" that the speaker is closed. (The standby time of speaker is 5 minutes.)
3. **Wireless Charging:** The wireless charging function is automatic induction, no switch is needed, just put the mobile phone with a wireless charging device on the top of product.

Installation Instruction

Step 1: It is required that the thickness of the countertop material be between 5mm and 40mm, and the diameter of the hole should be between Ø102mm - Ø105mm.

Step 2: Unscrew the locking ring mounted on the product clockwise along the thread.

Step 3: Plug the extension cord into a power outlet and then put it into the hole. Finally, tightly screw the locking ring anticlockwise along the thread.



Product warranty

- This product is guaranteed free of charge within one year from the date of purchase (except for improper use or artificial damage).
- When purchasing, please check the appearance of the product carefully. The appearance is not covered by the free warranty.
- After the expiration of the warranty period, our company collects the corresponding parts fees and maintenance fees in accordance with the relevant provisions.

APP REMOTE POWER CONTROL SOCKET



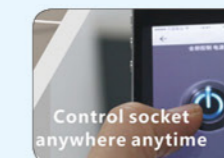
86-577-62731309
www.igercn.com

Desk Socket
Product Selection Manual

APP Remote Power Control Socket



APP Remote Control



Professional Solution



R&D Center



Professional technical team with own registered lab, guarantee high quality design and production

Innovation combine with professionalism. Connect and control, anywhere, anytime

Product Introduction

Thank you for using our product. The product can be freely fitted with 2 to 4 positions modules of power outlet, USB interface, Bluetooth audio, etc.

The product built in APP server and button switch two kinds of controlling mode to control the power supply, to make more convenient to operate.

Specifications

- Product Name: HGZ602 series Power Station Production Standards: GB/T 2099.1
- Outline size: 375X85 X 85mm (4 gangs)
330X85 X 85mm (3 gangs)
285 X85X85mm(2gangs)
- USB is standard configuration.
- Rated Input: 10A, 110-250V
- Rated Output: 10A, 110-250V (Power outlet)
- Rated Power: 2200W
- USB Input: 110V-250V,50/60Hz
- USB Output: 5V/2.1A
- Using Environment: -0℃ +40℃

Features

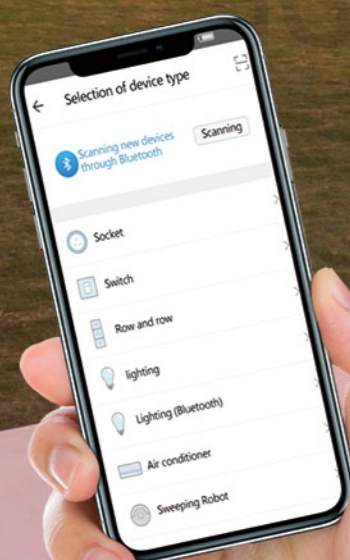
Shell Material: The main body is anodized high strength aluminum alloy, and the auxiliary parts are made of high density alloy engineering plastics.

Controlling Mode: can be controlled by APP and button switch .

Configurations Available: International modular components, Bluetooth audio, USB charger, etc.It can also configure data jacks according to the user's requirements.

Safety Protection: double protection by using relay protection and PCI overvoltage-undervoltage protection.

Applications: wall corner, under cabinet, office conference tabletop, worktop, counter top, on floor.



IGERCN[®]

APP Remote Power Control Socket

Operational Method

Functions of Button: Control power switch, WIFI start

*Press the button switch, the blue power supply indicator lamp lighted up, indicates that the power supply has been turned on.

*Press the button switch for 3 seconds until the WIFI signal lamp on the left side lighted up, to indicate that the WIFI module has started to work and can be linked to the APP in mobile phone or tablet computer.

Connection of APP: Please turn off the smart power outlet before using it for the first time. At this time, the WIFI signal lamp should be in a red long light state. Connect the smart phone to the corresponding WiFi network, press the button for 5 seconds, and the red light flashes quickly. Click App to enter the interface of adding new devices and enter the corresponding password. When the connection is successful, the APP interface displays the words "Connecting Device Successful".

*Choose "My devices" - "Add devices" - "Outlet"

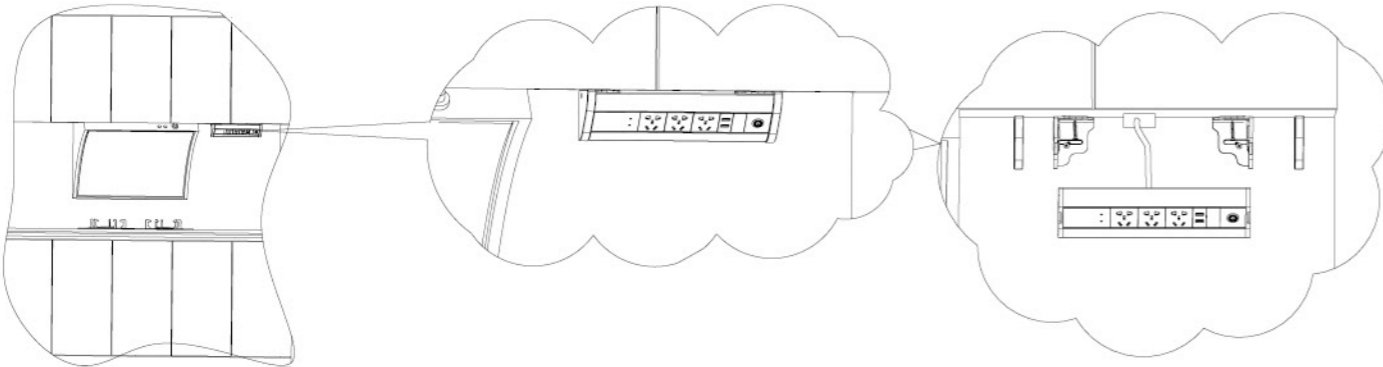
*Click "Confirm that the indicator is flashing" and enter.

*Enter the WIFI password and click to confirm that the device was added successfully.

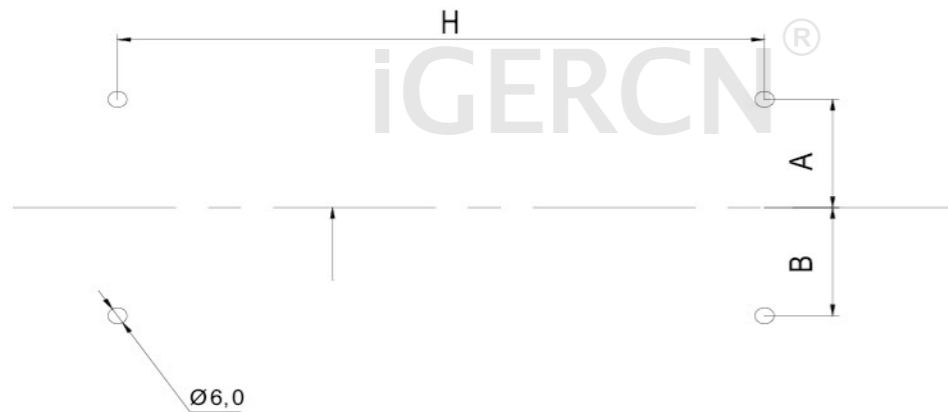
*Using Interface

Installation

Cabinet corner, as shown:



Installation dimensions: refer to the table below



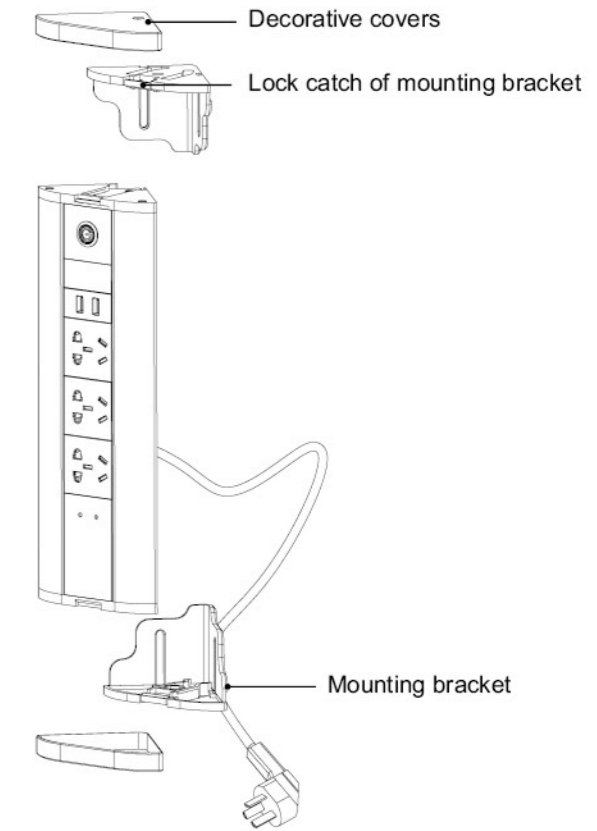
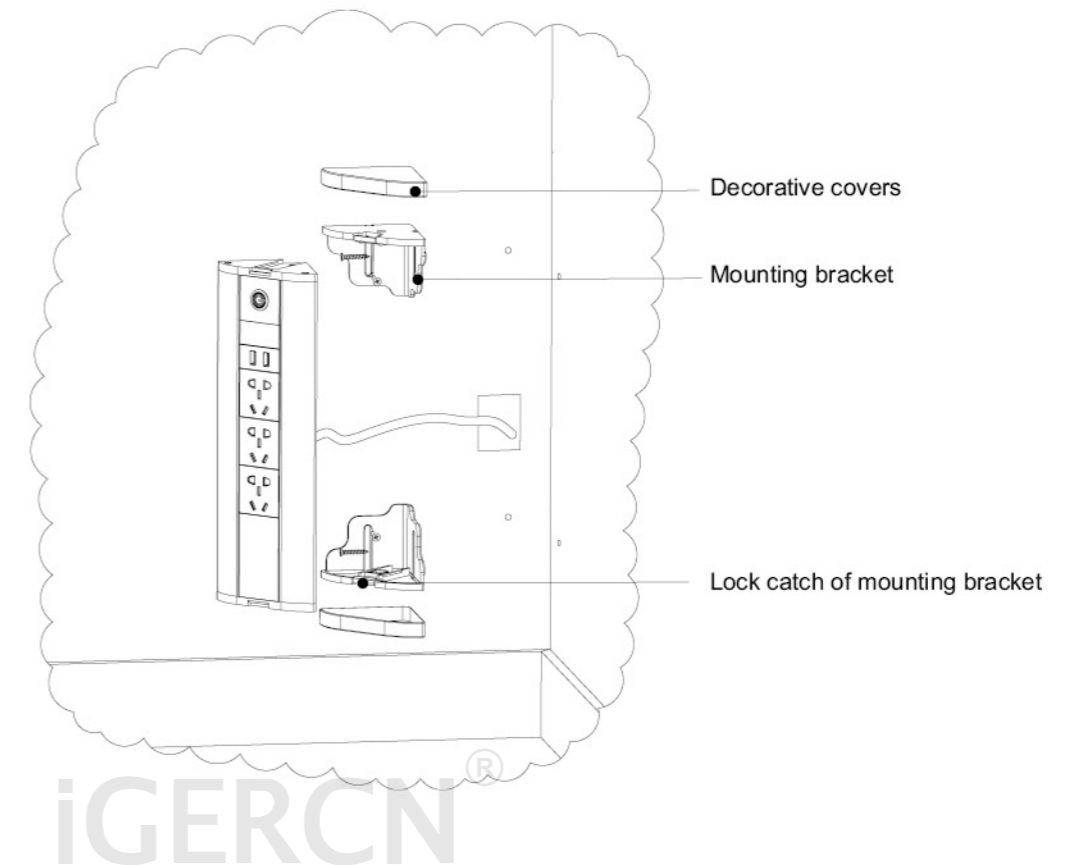
Nos.	Specification	A(mm)	B(mm)	H(mm)
1	4 Gangs	45.5	45.5	345
2	3 Gangs	45.5	45.5	300
3	2 Gangs	45.5	45.5	355

APP Remote Power Control Socket

Installation Instructions

1. Open the package and take out the product.
2. Remove the decorative caps on both sides of the product.
3. Press the lock catches in front of the mounting brackets on both sides. Push the mounting bracket back.
4. According to the selected product specifications, drill holes according to the dimensions specified in the installation dimension table.
5. Align the mounting bracket to the hole position, fasten one side bracket with a screw, and the other side bracket can move slightly.
6. Connect the power cord to the junction box and push the outlet device toward the corner. Then cover the decorative covers on both sides.
7. The product can also be surface mounted. When surface mounting, punch the knockout on the cover, then pass the power cord through the cutting hole.

Wall corner Installation: The same way as cabinet installation.



Mini Desk Socket

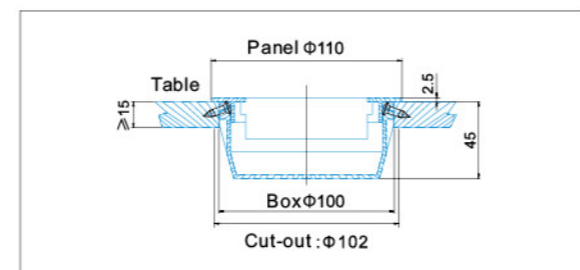


Item No.	Picture With Configuration	Configuration
IGZ501-D		3 Ways empty
IGZ501-N		
IGZ501-N/F6F11		1 Way 3Pin Socket+USB
IGZ501-D/F6F8		1Way 5Pin Socket+USB

Brief Parameter

Dimension of Panel/Thickness		φ 110mm/2.5mm
Dimension of Box		φ 100mm × 45mm
Dimension of Cut-out		φ 102mm
Electricity	Rated Electricity	Ue:250V~, Ie:10A
	Rated USB	Input:90~260V, 50~60Hz, Output:5V ± 5%V, 2.1A

Installation Drawing



Damping Pop Up desk socket

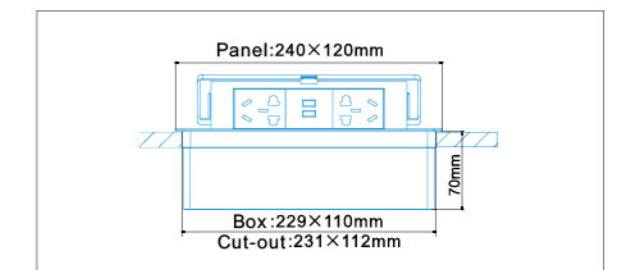


Item No.	Picture With Configuration	Configuration
IGZ517-D		6 way without terminal block
IGZ517-N		
IGZ517-D/3F8		3 way 5 pin socket
IGZ517-N/2F8F9		2 way 5 pin socket+USB

Brief Parameter

Dimension of Panel/Thickness		240 × 120mm/2.5mm
Dimension of Box		229 × 110 × 70mm
Dimension of Cut-out		231 × 112mm
Electricity	Rated Electricity	Ue:250V~, Ie:10A
	Rated USB	Input:90~260V, 50~60Hz, Output:5V ± 5%V, 2.1A

Installation Drawing



Damping Pop Up desk socket



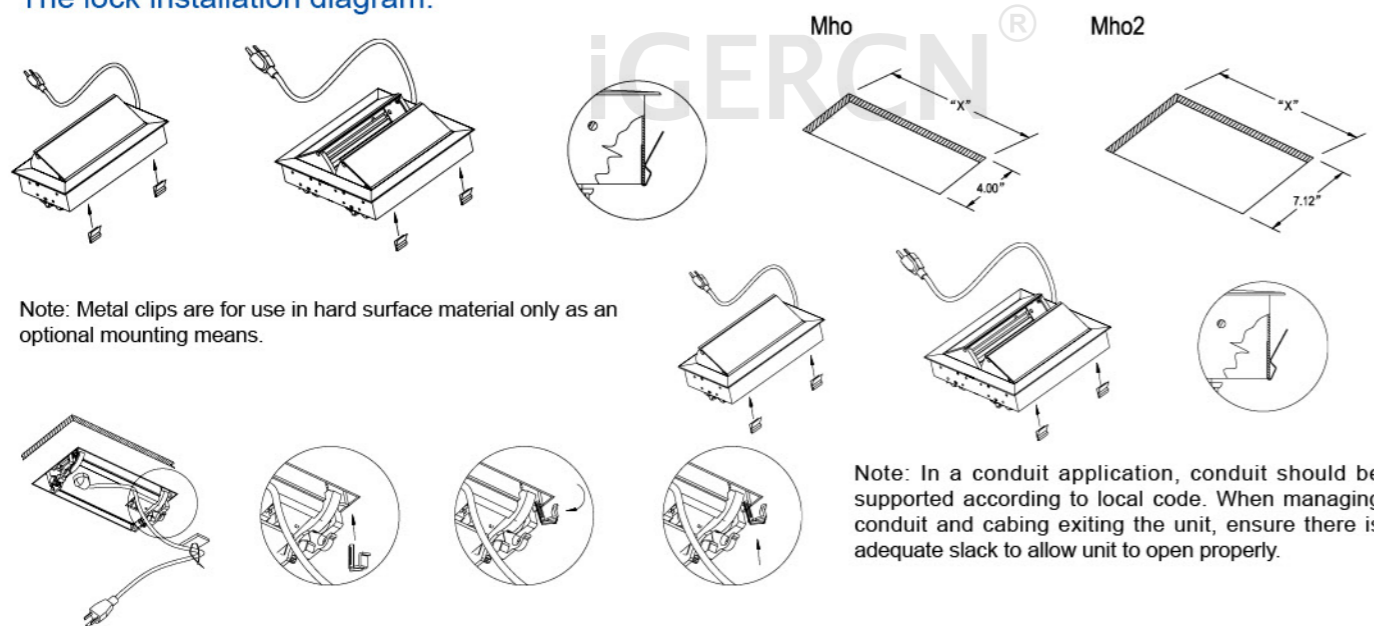
HZC-211/HZC-612

The product installation hole size description

Mho	Mho2		"X" Dim.
HZC-2111	HZC-2111-2	2 ports	5.00
HZC-2111	HZC-2111-2	3 ports	6.50
HZC-2111	HZC-2111-2	4 ports	8.00
HZC-2111	HZC-2111-2	5 ports	9.50
HZC-2111	HZC-2111-2	6 ports	11.00
HZC-2111	HZC-2111-2	7 ports	12.50
HZC-2111	HZC-2111-2	8 ports	14.00



The lock installation diagram.



Note: Metal clips are for use in hard surface material only as an optional mounting means.

Note: In a conduit application, conduit should be supported according to local code. When managing conduit and cabling exiting the unit, ensure there is adequate slack to allow unit to open properly.

Duty proof desk socket



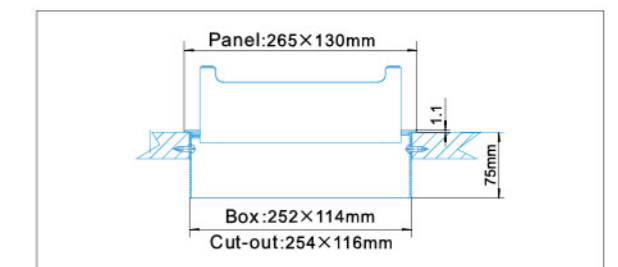
IGZ521

Item No.	Picture With Configuration	Configuration
IGZ521-D		9 way without terminal block
IGZ521-N		3 way 2 pin + 3 way 3 pin
IGZ521-D/3F2-3F3		3 way 2 pin + 3 way 3 pin
IGZ521-N/3F2-2F3-F9		3 way 2 pin + 2 way 3 pin + USB

Brief Parameter

Dimension of Panel/Thickness	265 × 130mm/2.5mm	
Dimension of Box	252 × 114 × 75mm	
Dimension of Cut-out	254 × 116mm	
Electricity	Rated Electricity	Ue:250V~, Ie:10A
	Rated USB	Input:90~260V, 50~60Hz, Output:5V ± 5%, 2.1A

Installation Drawing



Duty Proof Desk Socket

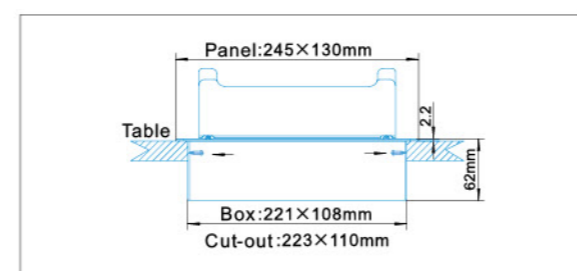


Item No.	Picture With Configuration	Configuration
IGZ522-D		Empty
IGZ522-N		Empty
IGZ522-D/2F8F21F23F52 F62F65F69		2 way 5 pin + TELE + computer + audio + riedio + VGA+HDMI

Brief Parameter

Dimension of Panel/Thickness	245 × 130mm/2.5mm	
Dimension of Box	221 × 108 × 62mm	
Dimension of Cut-out	223 × 110mm	
Electricity	Rated Electricity	Ue:250V~, Ie:10A
	Rated USB	Input:90~260V, 50~60Hz, Output:5V ± 5%V, 2.1A

Installation Drawing



Double way Brushed Desk socket

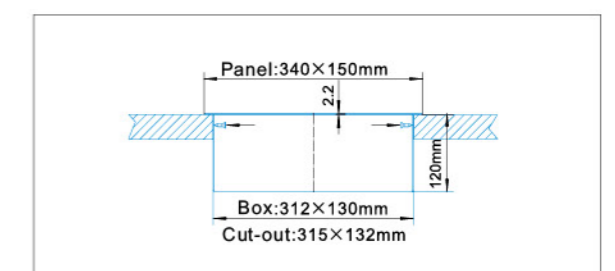


Item No.	Picture With Configuration	Configuration
IGZ525-D		Empty
IGZ525-N		Empty
IGZ525-D/F6-2F8F21F23 F56F65F69		2 way 5 pin + TELE + computer + VGA+HDMI +TV+USB+video

Brief Parameter

Dimension of Panel/Thickness	340 × 150mm/2.2mm	
Dimension of Box	310 × 130 × 120mm	
Dimension of Cut-out	312 × 132mm	
Electricity	Rated Electricity	Ue:250V~, Ie:10A
	Rated USB	Input:90~260V, 50~60Hz, Output:5V ± 5%V, 2.1A

Installation Drawing



Single Way Duty Proof Desk Socket

Flipping cover(hidden) desk socket



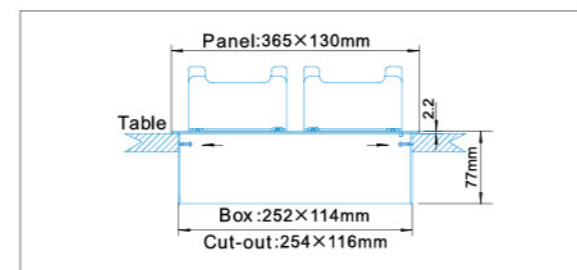
Item No.	Picture With Configuration	Configuration
IGZ528-D		Empty
IGZ528-N		
IGZ528-D/3F3F65F66		3 way 3 pin + computer + VGA15 pin female + VGA15 pin male

Item No.	Picture With Configuration	Configuration
IGZ536-S		6 way without terminal block
IGZ536-S/2F6-2F8		2 way 5 pin +USB

Brief Parameter

Dimension of Panel/Thickness	365 × 130mm/2.5mm	
Dimension of Box	252 × 114 × 77mm	
Dimension of Cut-out	254 × 116mm	
Electricity	Rated Electricity	Ue:250V~, Ie:10A
	Rated USB	Input:90~260V, 50~60Hz, Output:5V ± 5%V, 2.1A

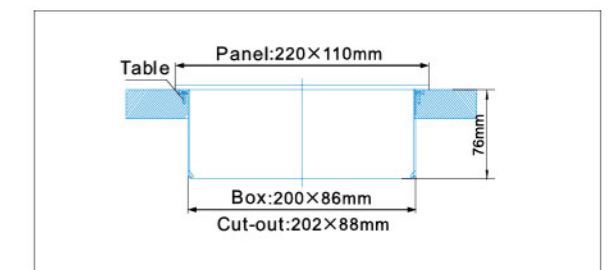
Installation Drawing



Brief Parameter

Dimension of Panel/Thickness	220 × 110mm/2.2mm	
Dimension of Box	200 × 86 × 76mm	
Dimension of Cut-out	202 × 88mm	
Electricity	Rated Electricity	Ue:250V~, Ie:10A
	Rated USB	Input:90~260V, 50~60Hz, Output:5V ± 5%V, 2.1A

Installation Drawing



Multiple Desk Socket

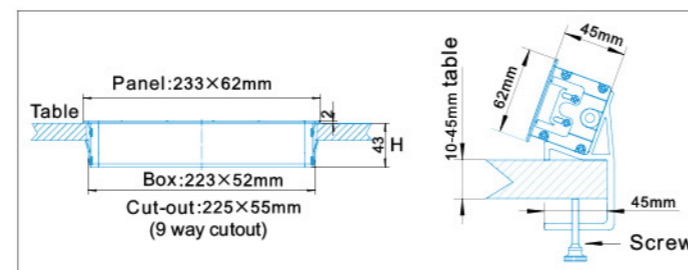


Item No.	Picture With Configuration	Configuration
IGZ507(508)A-D		6 way without terminal block
IGZ507(508)A-N		
IGZ507(508)A-D/3F8F75F81		switch+ 3 way 5 pin (cable wire 1.8M/3 × 0.75)
IGZ507(508)B-D		8 way without terminal block
IGZ507(508)B-N		
IGZ507(508)B-N/4F8F75F81		switch+ 4 way 5 pin (cable wire 1.8M/3 × 0.75)

Brief Parameter

Dimension of Panel/Thickness	233 × 62mm/2.5mm	
Dimension of Box	223 × 52 × 45mm	
Dimension of Cut-out	225 × 55mm(9 way cutout)	
Electricity	Rated Electricity	Ue:250V~, Ie:10A
	Rated USB	Input:90~260V, 50~60Hz, Output:5V ± 5%V, 2.1A

Installation Drawing



Manual Pop Up Socket

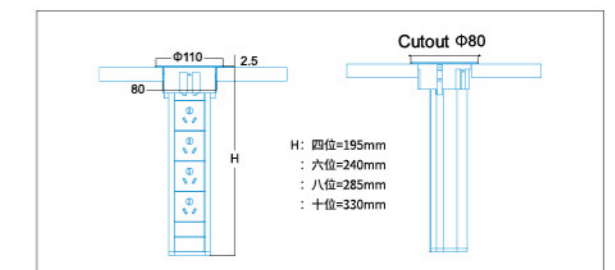


Item No.	Picture With Configuration	Configuration
IGZ520A-N		4 way without terminal block
IGZ520B-N		6 way without terminal block
IGZ520C-N		8 way without terminal block
IGZ520D-N		10 way without terminal block

Brief Parameter

Dimension of Panel/Thickness	φ 100mm/2.5mm	
Dimension of Box	4=195mm/6=240mm 8=285mm/10=330mm	
Dimension of Cut-out	φ 80mm	
Electricity	Rated Electricity	Ue:250V~, Ie:10A
	Rated USB	Input:90~260V, 50~60Hz, Output:5V ± 5%V, 2.1A

Installation Drawing



Manual Pop Up Socket

Concept Floor Vertical Tower Socket



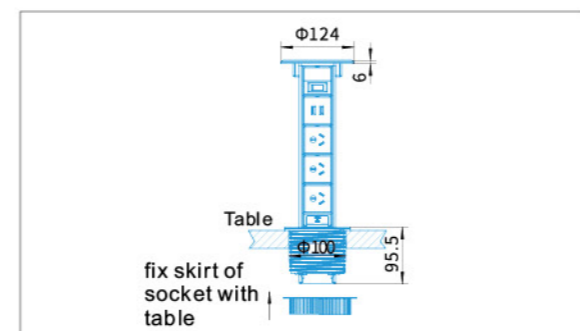
Item No.	Picture With Configuration	Configuration
IGZ526-D		8 way without terminal block
IGZ526-D/3F3-F9F75F81		switch+ 3 way 3 pin+USB (line 1.8M/3 × 0.75)
IGZ526-D/F9-3F11F75F81		switch+ 3 way BS + USB (line 1.8M/3 × 0.75)
IGZ526-D/F9-3F15F75F81		switch+ 3 way + USB (line 1.8M/3 × 0.75)

Item No.	Picture With Configuration	Configuration
IGZ531A-D		350mm Empty
IGZ531B-D		660mm Empty
IGZ532A-D		350mm Empty
IGZ532B-D		660mm Empty

Brief Parameter

Dimension of Panel/Thickness	φ 124mm/2.5mm	
Dimension of Box	380mm	
Dimension of Cut-out	φ 100mm	
Electricity	Rated Electricity	Ue:250V~, Ie:10A
	Rated USB	Input:90~260V, 50~60Hz, Output:5V ± 5%V, 2.1A

Installation Drawing



Installation Drawing

